



APR 4920

The agile APR 4920 has an engine output of 6.6 kW as well as good gradeability and compaction performance. The machine can handle inclines of up to 30%.

The APR 4920 counts alongside the APR 5920 as one of the most powerful vibratory plates in its class.

Its working width of 450 mm is extendible using add-on plates of 75 mm or 150 mm. The robust engine hood protects the engine and provides easy access to all service points.



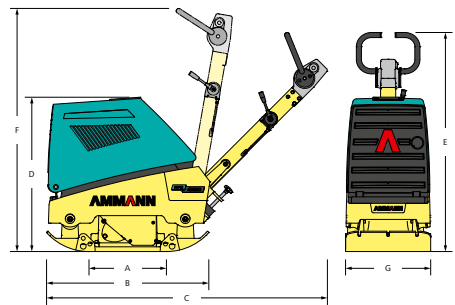
APR 5920

This reversible vibratory plate stands out through its manoeuvrability and gradeability that enable it to work on slopes with an incline of up to 30%. The machine is driven by a powerful diesel engine. The vibratory plate can handle difficult and hard-to-reach areas thanks to its infinitely adjustable forward and reverse drive. Optional attachment angles with a width of 75 mm or 150 mm increase productivity.

VARIED WEIGHTS

Options such as an electric starter (weighs 7 kg) and attachment plates enable customers to adapt the machines to a jobsite's specific challenges. The result: A machine that performs at the level of a 500 kg vibratory plate, a common class size worldwide.





DIMENSIONS & WEIGHT

	APR 4920	APR 5920
MACHINE WEIGHT	391 kg (862.0 lb)	440 kg (970 lb)
WITH ATTACHMENT ANGLE 75 mm	413 kg (910.5 lb)	461 kg (1016.3 lb)
WITH ATTACHMENT ANGLE 150 mm	424 kg (934.8 lb)	473 kg (1047.2 lb)
A BASE PLATE LENGTH	450 mm (17.7 in)	450 mm (17.7 in)
B MACHINE LENGTH	898 mm (35.4 in)	898 mm (35.4 in)
C WITH GUIDE HANDLE	1485 mm (58.5 in)	1453 mm (57.2 in)
D MACHINE HEIGHT	817 mm (32.2 in)	850 mm (33.5 in)
E GUIDE HANDLE HEIGHT (WORK)	1000 mm (39.4 in)	1000 mm (39.4 in)
F GUIDE HANDLE HEIGHT (TRANSFER)	1285 mm (50.6 in)	1285 mm (50.6 in)
G MACHINE WIDTH	450 / 600* / 750 mm (17.7 / 23.6* / 29.5 in)	450 / 600* / 750 mm (17.7 / 23.6* / 29.5 in)

ENGINE

ENGINE	Hatz 1B40	Hatz 1B40
FUEL	Diesel	Diesel
OUTPUT	9 HP / 6.6 kW	9 HP / 6.6 kW
RPM	2900	2900
CONSUMPTION	1.6 l/h (0.4 gal)	1.6 l/h (0.4 gal)

COMPACTION OUTPUT

MAX. VIBRATION FREQUENCY	65 Hz (3900 vpm)	65 Hz (3900 vpm)
MAX. CENTRIFUGAL FORCE	49 kN (11 lbf)	59 kN (13 lbf)
WORKING SURFACE	945m ² /h (10171 ft ² /h)	945m ² /h (10171 ft ² /h)
WITH ATTACHMENT ANGLE 75 mm	1080 m ² /h (2325 ft ² /h)	1080 m ² /h (2325 ft ² /h)
WITH ATTACHMENT ANGLE 150 mm	1350 m ² /h (2874 ft ² /h)	1350 m ² /h (2874 ft ² /h)
MAX. COMPACTION DEPTH **	60 cm (24 in)	70 cm (28 in)

MISCELLANEOUS

WORKING SPEED	35 m/min (1.3 mph)	35 m/min (1.3 mph)
FUEL TANK	5 l (1.1 gal)	5 l (1.1 gal)
MAX. GRADEABILITY	30 %	30 %
MAX. INCLINE	25°	25°

OPTIONS

TRANSPORT WHEELS	-	-
PAVING PAD	x	x
E-START	x	x
HOUR METER	x	x
ACE ^{econ}	x	x
AMMANN SERVICELINK	Standard	Standard
ATTACHMENT ANGLES (75 / 150 mm)	x	x

* Standard working width ** Depending on ground conditions